

Vertical Stainless Steel Canister Actuator

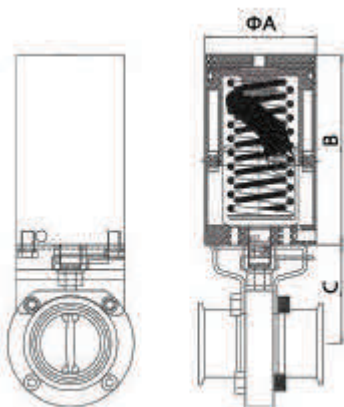
- Excellent protection and corrosion resistance
- 100% fully tested
- Can be mounted on all butterfly valves up to 4"



Specifications

Description	Weight (lbs.)	Air Consumption(in ³)		Output	Maximum	Supply Pressure	Air Fitting Ports
		down stroke	up stroke	Torque	Pressure Rating	Pressure Rating	
		CW	CCW	(in-lb)	(PSI)	(PSI)	
VC-double acting	5.1	8.5	20	550	120	80-100	1/8"NPT
VC-spring return	6	8.5	18.5	550	120	80-100	1/8"NPT

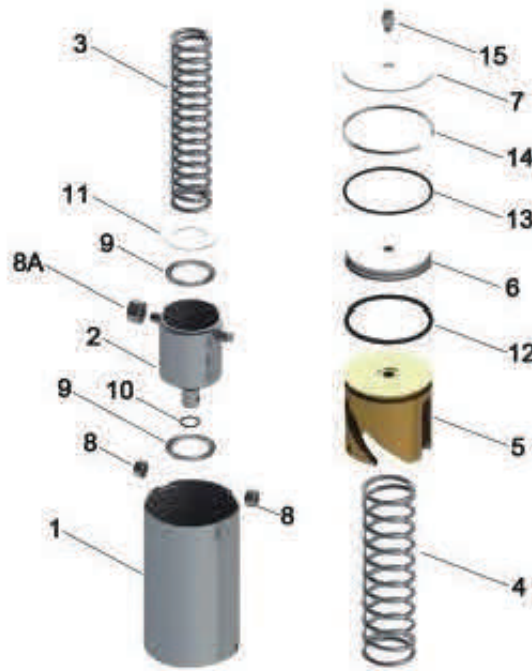
Dimensions



Size	ØA	B	C
1/2"-1"	3.347"(85.00mm)	5.827"(148.00mm)	2.697"(68.50mm)
1 1/2"	3.347"(85.00mm)	5.827"(148.00mm)	2.697"(68.50mm)
2"	3.347"(85.00mm)	5.827"(148.00mm)	3.047"(77.40mm)
2 1/2"	3.347"(85.00mm)	5.827"(148.00mm)	3.457"(87.80mm)
3"	3.347"(85.00mm)	5.827"(148.00mm)	3.638"(92.40mm)
4"	3.347"(85.00mm)	5.827"(148.00mm)	4.488"(114.00mm)

Vertical Stainless Steel Canister Actuator

Material List



Item	Description	Material	Quantity	
			SR	DA
1	body	304	1	1
2	drive	304	1	1
3	inner spring	302	1	0
4	outer spring	302	1	0
5	piston	aluminum	1	1
6	end cap	304	1	1
7	top cap	304	1	1
8	needle bearing (body)	304	2	2
8A	needle bearing (drive)	304	2	2
9	thrust bearing	304	2	1
10	O-ring (drive)	EPDM	1	1
11	thrust washer	304	1	0
12	O-ring (Piston)	EPDM	1	1
13	O-ring (end cap)	EPDM	1	1
14	retaining ring	304	1	1
15	air fitting	brass	1	2