

Sanitary Butterfly Valve

- Sizes: 1/2" thru 8"
- Material: forged 316L stainless steel for body and disc
- Low resistance to flow
- Bi-directional flow
- Various manual or automatic operators available
- Polyacetal bushings for the valve disc reduce friction and increase cycle life
- All wetted surfaces are sanitary finished to $\leq 32Ra$
- Repair kits available 1/2" thru 8"
- Seat options: EPDM, Silicone, Viton(1/2" thru 4")
- 100% tested and inspected before shipped

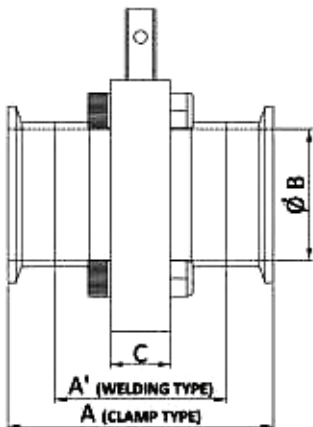


Specifications

Information supplied based on water media at 68°F/20°C

Size	Break Torque (in.lbs.)			Pressure Rating (PSI)	Flow Coefficient (C _v)	Weight w/Pull Handle (lbs.)
	Silicone	EPDM	Viton			
1/2"	20	75	70	140	7	2.2
3/4"	20	75	70	140	11	2.2
1"	20	75	70	140	23	2.2
1 1/2"	40	130	125	140	80	2.9
2"	55	165	175	140	230	3.5
2 1/2"	70	210	220	110	264	3.7
3"	165	350	310	110	372	4.4
4"	350	540	450	85	800	9.0
6"	700	1550	n/a	60	1200	13.6
8"	n/a	1650	n/a	60	2800	18.5

Dimensions



Size	A (CLAMP TYPE)	A' (WELDING TYPE)	B	C
1/2"	3.512" (89.2mm)	1.874" (47.6mm)	0.370" (9.4mm)	0.866" (22.0mm)
3/4"	3.512" (89.2mm)	1.874" (47.6mm)	0.622" (15.8mm)	0.866" (22.0mm)
1"	3.512" (89.2mm)	1.874" (47.6mm)	0.874" (22.2mm)	0.866" (22.0mm)
1 1/2"	3.512" (89.2mm)	1.874" (47.6mm)	1.370" (34.8mm)	0.866" (22.0mm)
2"	3.780" (96.0mm)	2.063" (52.4mm)	1.870" (47.5mm)	0.866" (22.0mm)
2 1/2"	3.827" (97.2mm)	2.118" (53.8mm)	2.370" (60.2mm)	0.866" (22.0mm)
3"	4.134" (105.0mm)	2.500" (63.5mm)	2.866" (72.8mm)	1.181" (30.0mm)
4"	4.819" (122.4mm)	3.177" (80.7mm)	3.830" (97.3mm)	1.181" (30.0mm)
6"	5.512" (140.0mm)	3.827" (97.2mm)	5.780" (146.8mm)	1.181" (30.0mm)
8"	4.882" (124.0mm)	3.827" (97.2mm)	7.782" (197.7mm)	1.181" (30.0mm)

Sanitary Butterfly Valve

Material List



Item	Description	Material	Quantity
Trigger Handle			
1A	sprocket	CF8	1
2A	handle	CF8	1
3A	hex socket bolt	304	1
4A	pin	304	1
5A	spring	304	1
6A	trigger	CF8	1
Infinite Handle			
1B	hub	CF8	1
2B	hex socket screw	304	1
3B	handle shaft	304	1
4B	knob	polymer	1
5B	hub housing	CF8	1

Item	Description	Material	Quantity
Pull Handle			
1C	hub housing	CF8	1
2C	hub	CF8	1
3C	handle shaft	304	1
4C	hex socket screw	304	1
5C	spring	304	1
6C	knob	polymer	1
Valve			
1	body	316L	2
2	disc	316L	1
3	seat	silicone	1
		EPDM	
		FKM	
4	bushing	polyacetal	2
5	hex nut	304	4
6	bolt	304	4
6W	optional wing nut	304	4