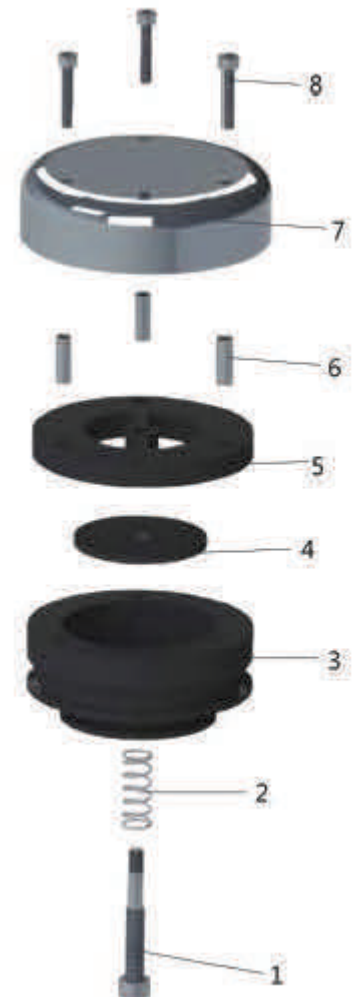
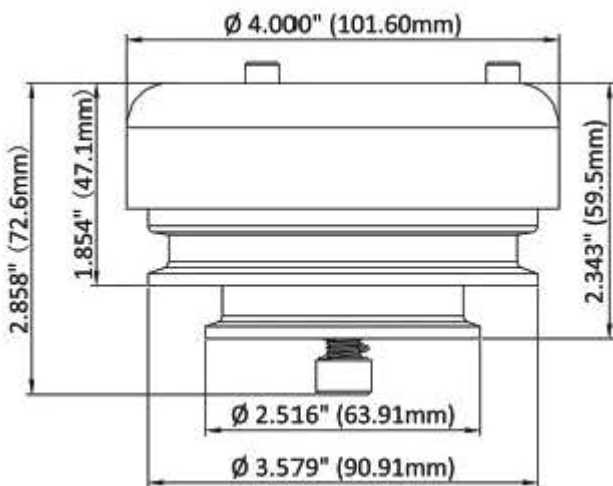


## Tank Vent Valves

- Sizes available for 2" and 3"
- Dome helps in preventing external contamination
- Robust PVC and 304 stainless steel design for light weight
- Can be used with any clamp gasket
- Maximum flow rate:500 GPM
- Vacuum break: 1 PSI
- Pressure relief: 1 PSI



## Dimensions



## Material List

Item	Description	Material	Quantity
1	spring bolt	304	1
2	spring	304	1
3	body	PVC	1
4	check plate	PVC	1
5	flow plate	PVC	1
6	spacer	304	3
7	cap	304	1
8	cap bolt	304	3